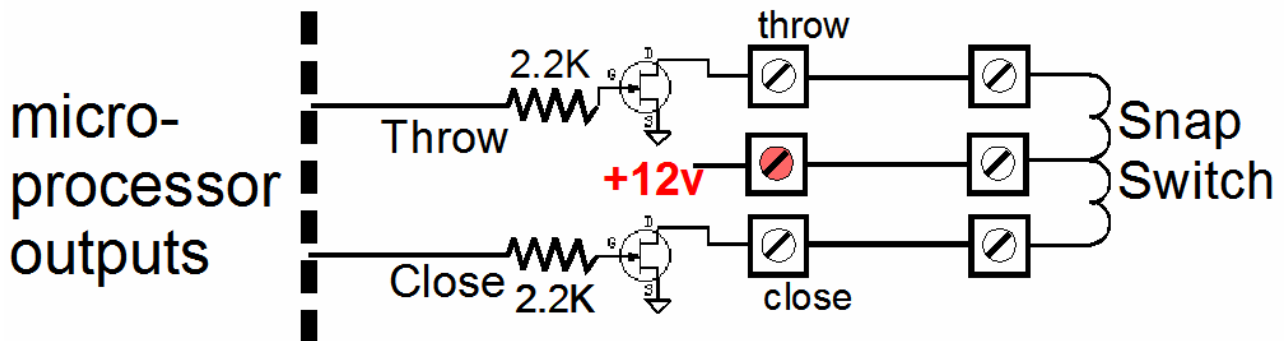


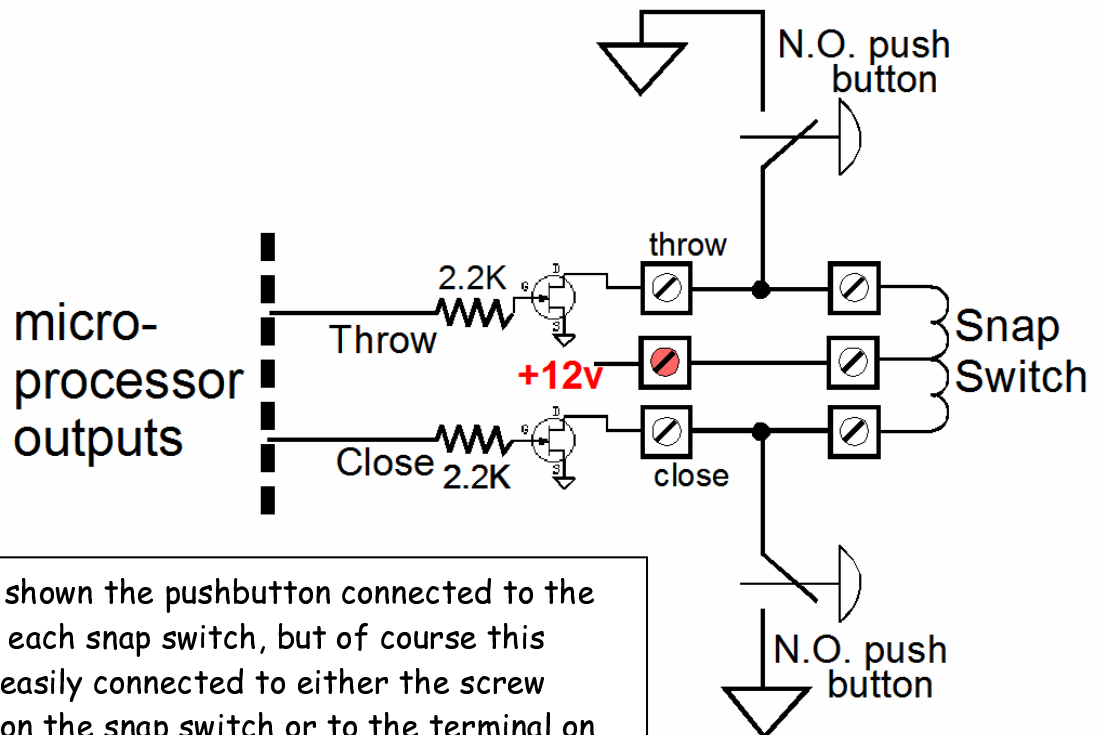
How to use a pushbutton and the *Universal Accessory Decoder* to control a snap switch

this is the output stage of the *Universal Accessory Decoder*.



The principle of operation is: The center terminal of the output is constant Hot and the 'close' and 'throw' outputs pull the ground for the chosen side of the solenoid type snap switch. The on board software guarantees that only one output is on at one time as well as establishing the pulse length.

To use a push button switch along with the DCC control of the *Universal Accessory Decoder*, attach the push buttons as shown.



We have shown the pushbutton connected to the wiring of each snap switch, but of course this could be easily connected to either the screw terminal on the snap switch or to the terminal on the *Universal Accessory Decoder* output.